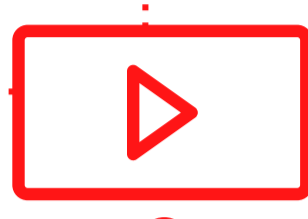
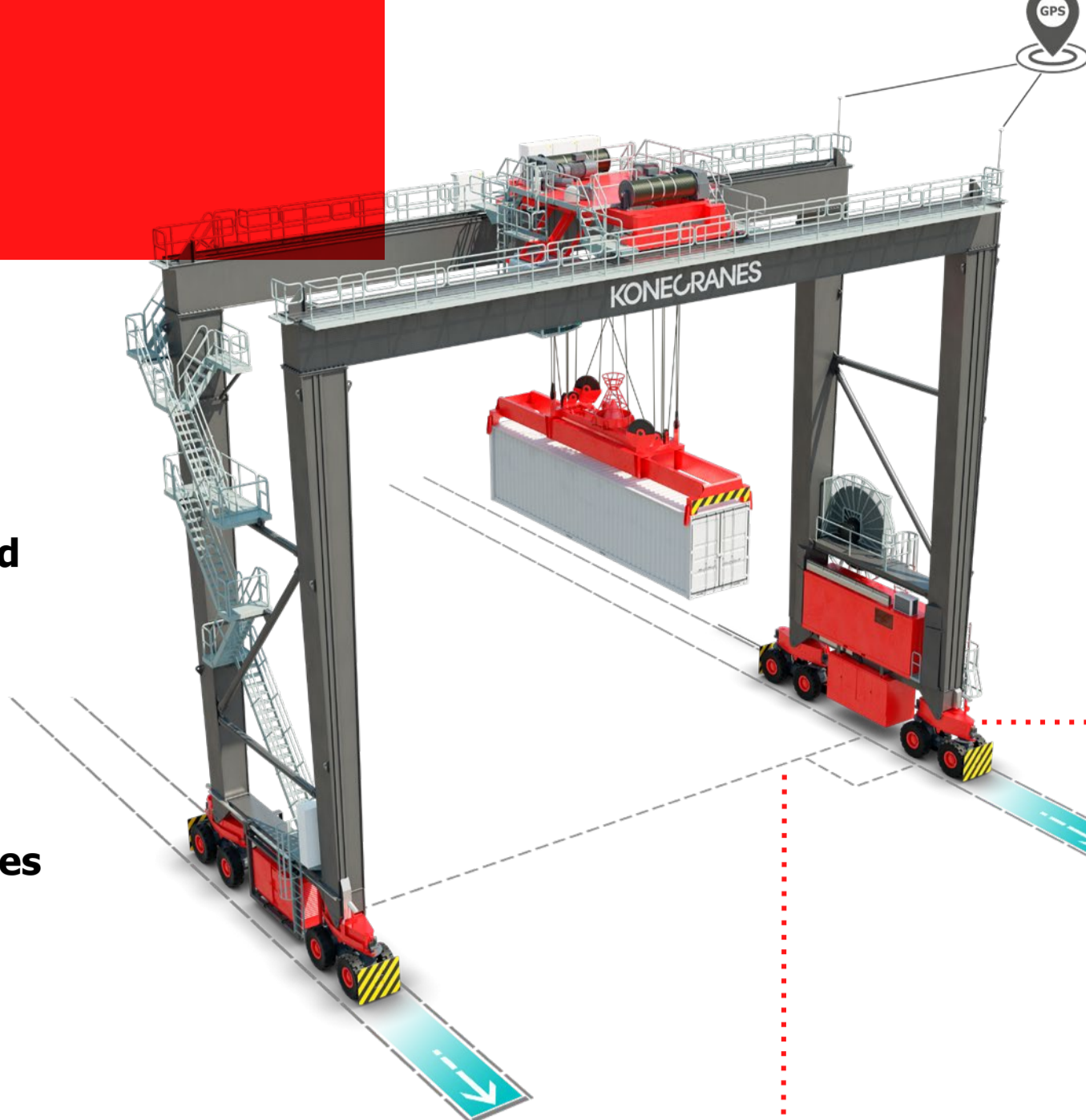


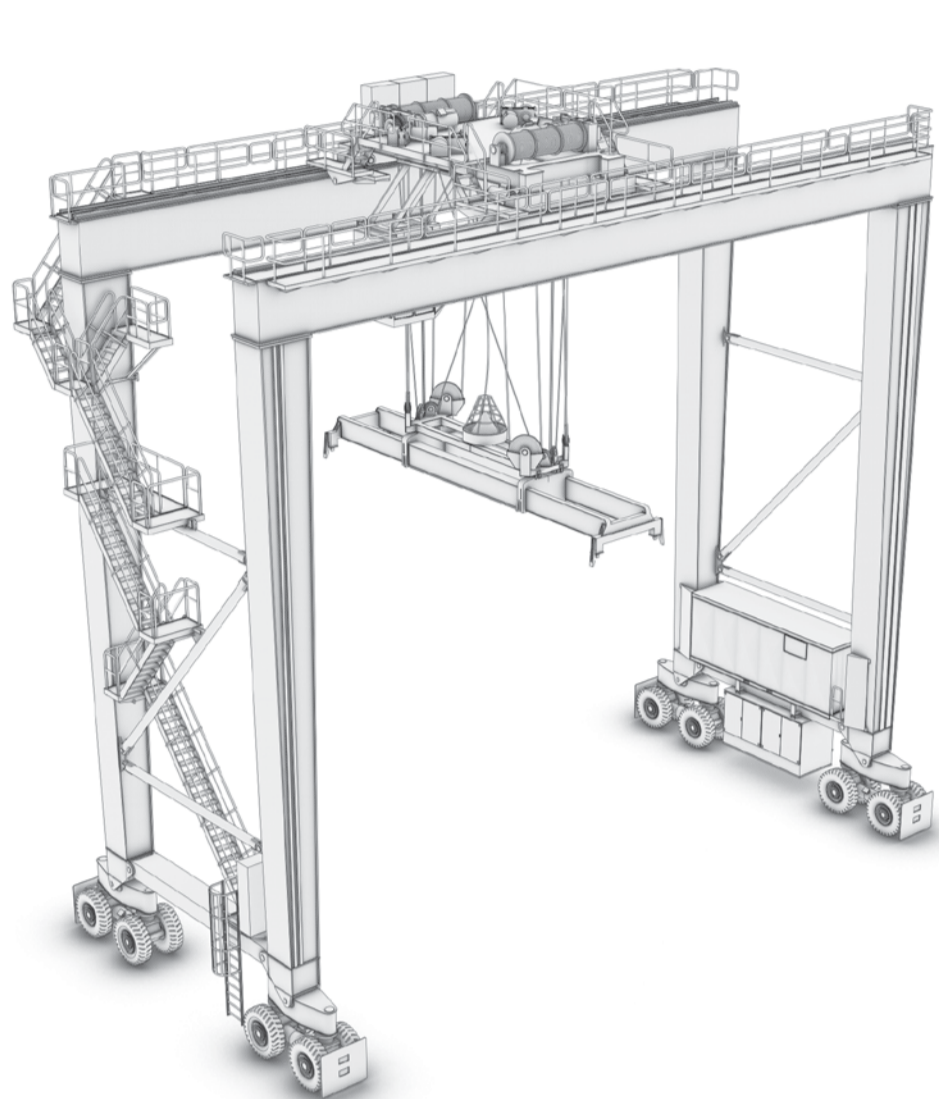
SMART FEATURE RETROFITS

Auto-Steering Retrofit

Safely lifting, moving and positioning containers or loads is the primary function of an operator. This product steers the crane into position, while the operator focuses on lifting.



Watch video at this link



EQUIPMENT

This technology can be applied to all Konecranes RTGs as well as to **other RTG brands**.

For older models, an updated Drive and Control System Retrofit (DCSR) is required.

AB
Any Brand

RTG
Rubber-Tyred Gantry

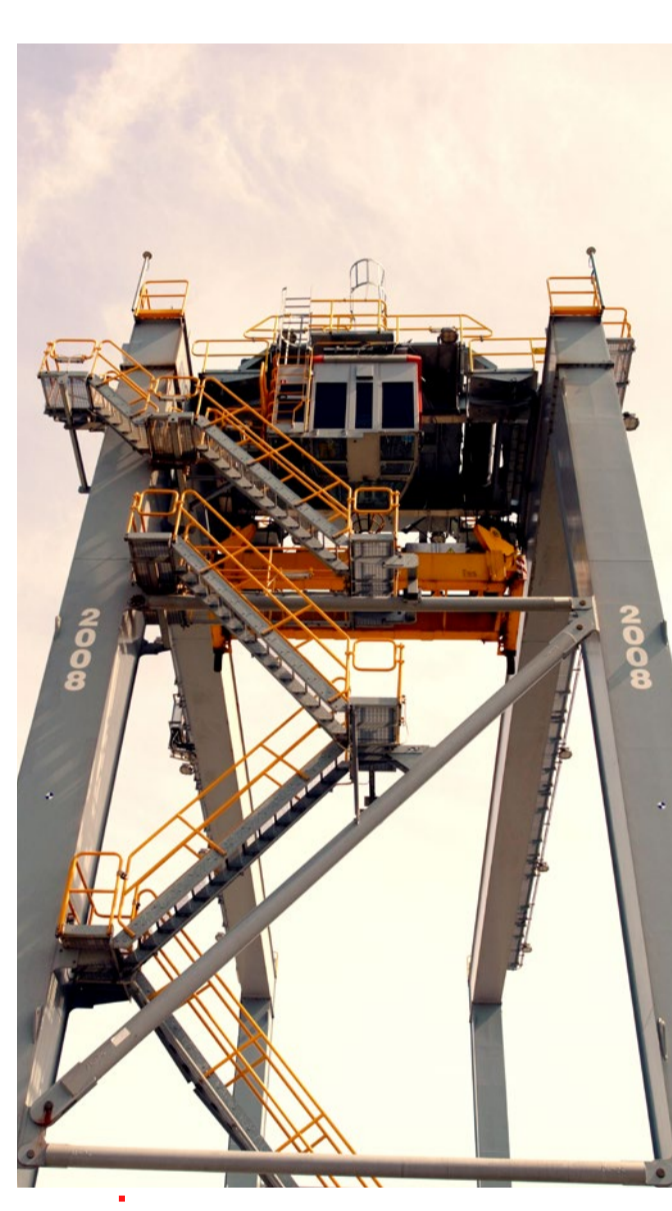


BENEFITS

- Prevent collisions caused by loose configurations
- Operator is focused only on accurate lifting and placement
- Prepares crane for further automation features
- Can initiate traverse turns in railyards
- More precisely optimized stack alignment for greater stack density
- Accurate, real-time heading at all times
- Option for additional reefer collision prevention.

HOW IT WORKS

- GPS base station is installed in the terminal, the crane then uses radio frequency to communicate its real-time GPS position
- RTG drive lanes are pre-programmed into the memory
- Slow down and stop areas can also be programmed
- Automatic slow-down/stop on any path deviation
- Programmable speed restrictions in areas such as reefer racks
- Can be augmented with laser scanner-based smart steering
- If WLAN is available, both radio and WLAN can be combined which boosts communication in places where radio interference is present.



WHAT YOU NEED TO KNOW

- Auto-Steering is a prerequisite for Auto-TOS Reporting, Auto-Positioning, Auto-Path and Auto-Truck Guiding
- Customer needs:
 - To apply for necessary radio frequency license that the system needs for the base station communication
 - Site works and commissioning: 5 days for the first crane and 3 days for every crane thereafter
 - To name a location for the base station and install the cubicle, antenna and wiring. Konecranes builds the antenna connection
 - If WLAN is used, to provide a functional WLAN network with strong coverage in the whole area where the RTGs operate (optional)
- Konecranes will assist in providing the necessary information to complete these tasks
- Pre-programmed memory allows Konecranes to utilize only 1 base station for over 160 RTGs at the same time.

SELECTED REFERENCES



Year	Customer/Location	Quantity
2021	WACT / Onne	20
2019	PTP / Medan	12
2019	GCT / Vancouver	6
2019/20	SCPA / Charleston	31
2019	MFT V / Malta	15
2019	DPW / Djazair	5
2018	APMT / New Jersey	20
2018	PMT / Kuala Tanjung	8
2015	DPW / Yarmica	18



Konecranes is a world-leading group of Lifting Businesses™, serving a broad range of customers, including manufacturing and process industries, shipyards, ports and terminals. Konecranes provides productivity enhancing lifting solutions as well as services for lifting equipment of all makes. The Group has more than 16,000 employees at 600 locations in 50 countries. Konecranes shares are listed on the Nasdaq Helsinki (symbol: KCR).

© 2020 Konecranes. All rights reserved. *Konecranes, 'Lifting Businesses' and are either registered trademarks or trademarks of Konecranes.

This publication is for general informational purposes only. Konecranes reserves the right at any time, without notice, to alter or discontinue the products and/or specifications referenced herein. This publication creates no warranty on the part of Konecranes, express or implied, including but not limited to any implied warranty or merchantability or fitness for a particular purpose.